

Slushy Machine Instructions

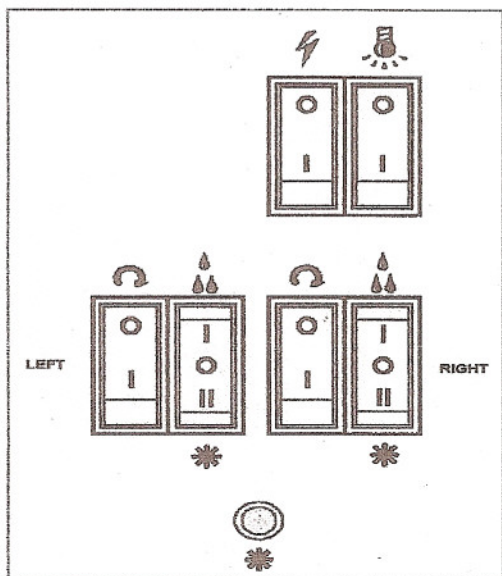
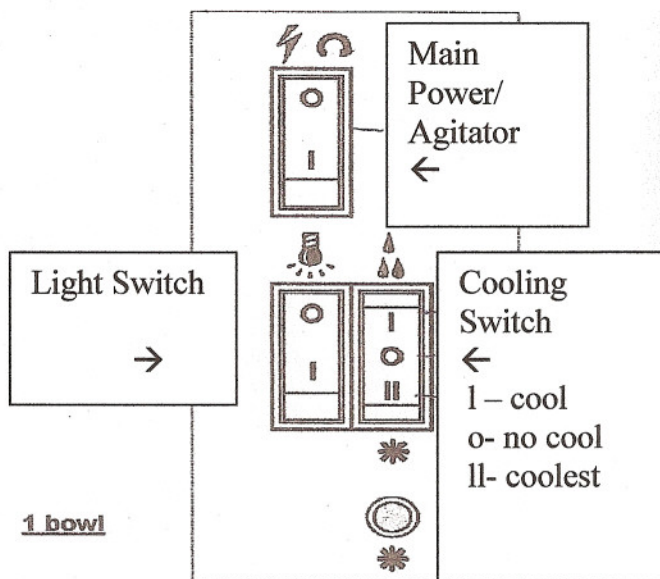


Figure 8

Instructions

1. Plug machine into a 120V 15amp outlet (standard outlet, don't have **many things running on the same circuit**).
2. Use our Frusheez solution, and **follow the procedure on the bottle to pre-make the proper ratio of solution to water**.
3. Add your pre-made mixture to the slushy machine, filling to at least the minimum fill line.
4. Turn on the main power/agitator button and set the **cooling switch to coolest**. You should notice the white center spinning to indicate you have power.
5. **It will take at least 45 minutes** for the mixture to start to slush up. Do not panic if it takes up to an hour and a half depending on the temperature outside (shade is helpful).
6. After liquid has become slush, you can turn the **cooling switch to cool** as opposed to coolest. **Monitor the mixture to make sure it stays "slushy."** If it starts to melt turn the cooling button back to coldest. **DO NOT TURN THE COOLING TEMPERATURE DIAL ON THE BACK OF THE MACHINE.**
7. **If it appears the mixture is freezing solid** it is probably because the mixture was made with too much solution and not enough water. **To fix this problem turn the cooling button to no cool and simply add about a half cup of warm water.** Again monitor after you add the water to make sure you get the consistency you want.

We recommend you become familiar with your slushy machine as soon as you get it home. If you have any questions about these instructions please call us at 763-478-6448 before your party starts or our store closes. Please leave us a message even if our store is closed.